



LACCD Renewable Energy Program

Renewable Energy Program

Central Plant –
Hot Water / Chilled Water



Energy Conservation

- Retrofit all energy consuming elements
 - Lights, fans, pumps, etc.
- Install conservation features in all buildings
 - Insulation, low-E glass, white roof, green roof
- State of the art and new technologies
 - Occupancy sensors
- Metering and monitoring systems



Renewable Energy Program

Solar PV

Thin Film



Mission College Solar Farm



Concentrator

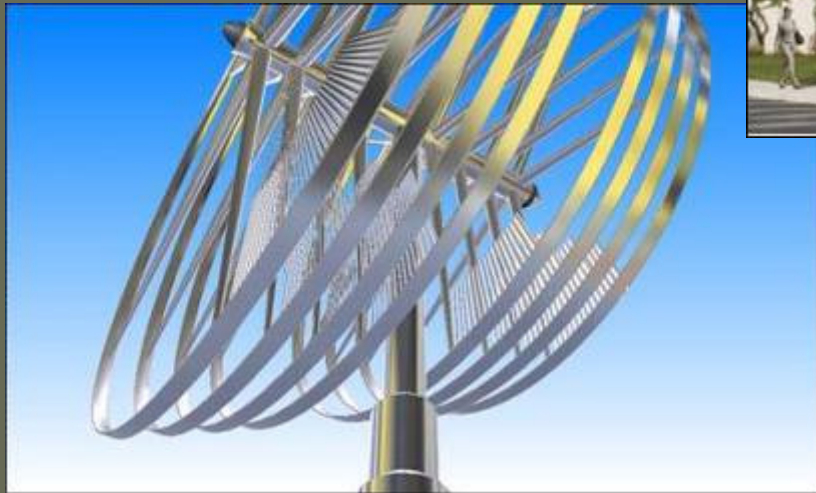


East L.A. College Solar Farm



Renewable Energy Program

Urban wind



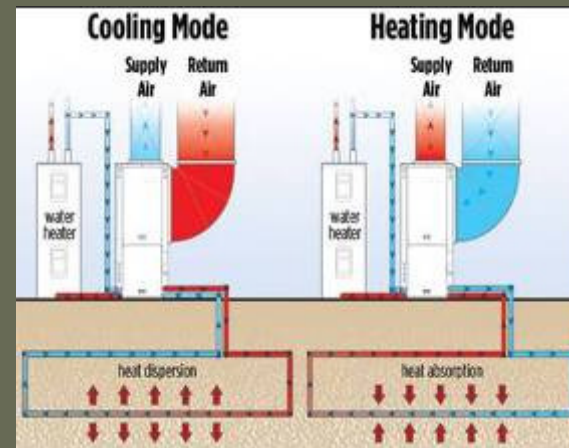
Renewable Energy Program

Solar thermal



Renewable Energy Program

Geo Thermal



Renewable Energy Program

Ice Storage



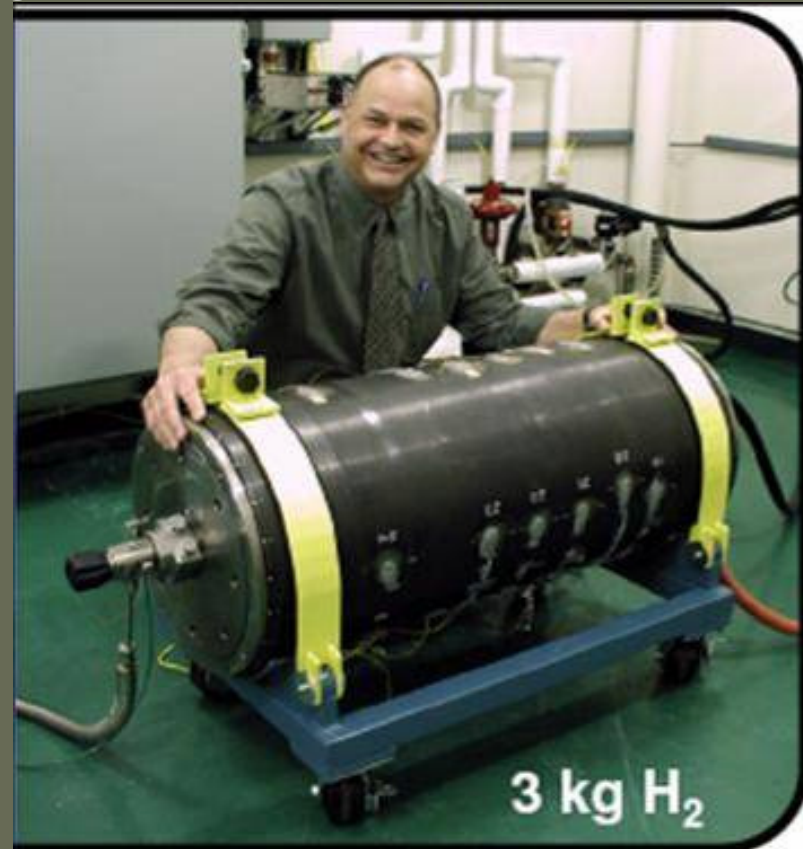
Renewable Energy Program

Electrolyzer



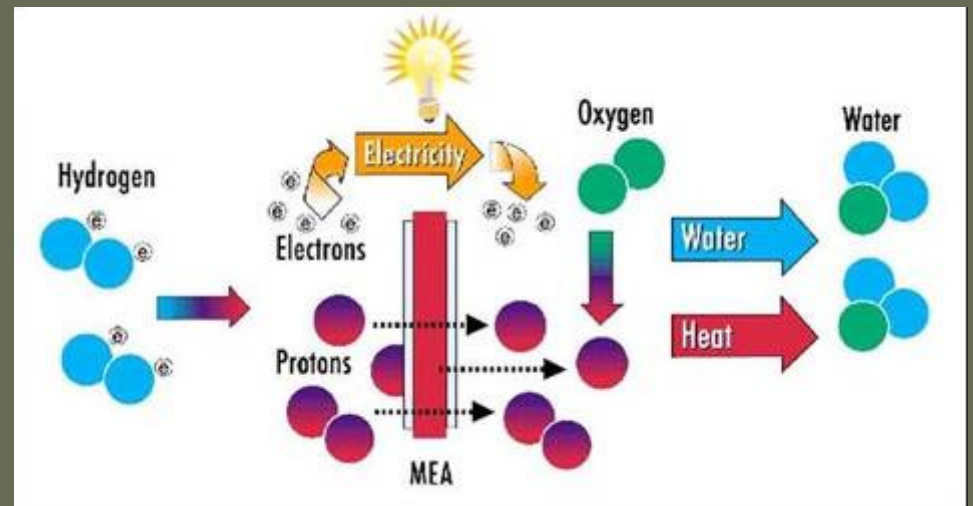
Renewable Energy Program

Solid state hydrogen storage



Renewable Energy Program

Fuel Cell



Renewable Energy Program

Lithium ion battery



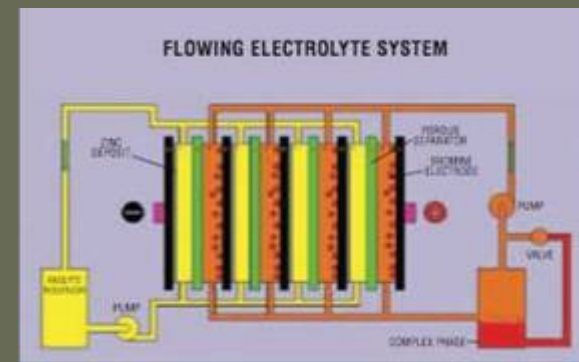
iCeL is a unique, proven, scalable, intelligent, high density energy storage system. With many applications, most anything requiring energy can be powered by an iCeL.

iCeL Systems, Inc • 7122 Sophia Ave • Van Nuys, Ca. 91406 • (818)909-3440



Renewable Energy Program

Flow Battery



Energy Committee

- Presidents Moreno, Moore, Chapdelaine
- Marvin Martinez, Jeanette Gordon
- David Beaulieu, Don Gauthier



Power Purchase Agreements

- In negotiation with Department of Water and Power on final contract language (6 Colleges)
- Agreement completed with Edison (3 colleges)



Feed In Tariff

- Negotiation with Department of Water and Power
- Negotiation with Edison on price
- State legislation in process
- Ca. Public Utility Commission testimony to support feed-in tariff



Contractors

- Chevron Energy Solutions
- 3rd Rock Energy (Mission and Storage)
- Pacifica – construction coordination



Finance Committee

- Securing PPA Financing from a variety of financial institutions
 - Sun Trust
 - Union Bank
 - Norlease
 - Hannon-Armstrong



Campus Progress: East



Parking Garage



Campus Progress: City



Science & Technology PV Array



Campus Progress: Southwest



Lot 3 PV Installation



Campus Progress: Valley



North Gym Solar Water Heating Panels





LACCD Renewable Energy Program